



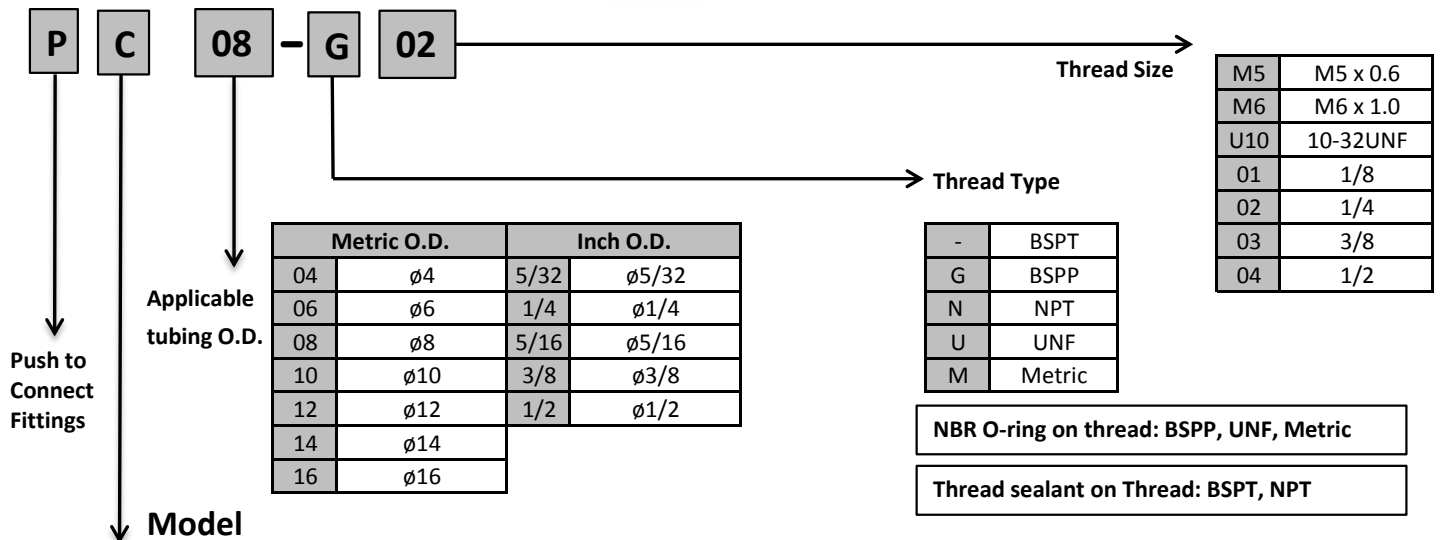
# NINGBO PACE PNEUMATICS CO., LTD.

— Chinese Manufacturer for Pneumatic fittings and Tubing

**PACE PNEUMATICS**



## HOW TO ORDER:



NBR O-ring on thread: BSPP, UNF, Metric

Thread sealant on Thread: BSPT, NPT

<b>C</b>	Male straight Connector	<b>U</b>	Union Straight Equal
<b>CF</b>	Female Straight	<b>V</b>	Union Elbow Equal
<b>MF</b>	Female bulkhead Straight	<b>E</b>	Union Tee Equal
<b>OC</b>	Round Male Straight	<b>Y</b>	Union Y
<b>L</b>	Male Elbow	<b>ZA</b>	Union Cross
<b>LF</b>	Female Elbow	<b>K</b>	5-Way Multiple Connector
<b>B</b>	Male Branch Tee	<b>G</b>	Union Straight Reduction
<b>BF</b>	Female Branch Tee	<b>EG</b>	Union Tee Reduction ( Middle Big )
<b>D</b>	Male Run Tee	<b>GT</b>	Union Tee Reduction ( Middle Small )
<b>X</b>	Male Y	<b>W</b>	Union Y Reduction
<b>H</b>	Male Elbow Banjo	<b>KG</b>	5-Way Multiple Reduction
<b>HF</b>	Female Elbow Banjo	<b>P</b>	Plug
<b>LL</b>	Extended Male Elbow	<b>PF</b>	Push-In Cap
<b>LH</b>	45 Degree Male Elbow	<b>IJ</b>	Insert Straight
<b>XT</b>	Male Y 5-Way Connector	<b>YJ</b>	Y Fitting With Brass Plug
<b>KB</b>	Male 5-Way Connector	<b>LJ</b>	Elbow Fitting With Brass Plug
<b>KD</b>	Male 5-Way Reduction	<b>GJ</b>	Straight Reduction With Plug
<b>M</b>	Bulkhead Union Straight	<b>WJ</b>	Y Reduction With Plug
		<b>TJ</b>	Tee Branch Reduction With Plug
		<b>SJ</b>	Run Tee Reduction With Plug



© PACE PNEUMATICS

[www.china-pace.com](http://www.china-pace.com)

[pace@china-pace.com](mailto:pace@china-pace.com)

# PUSH TO CONNECT FITTINGS

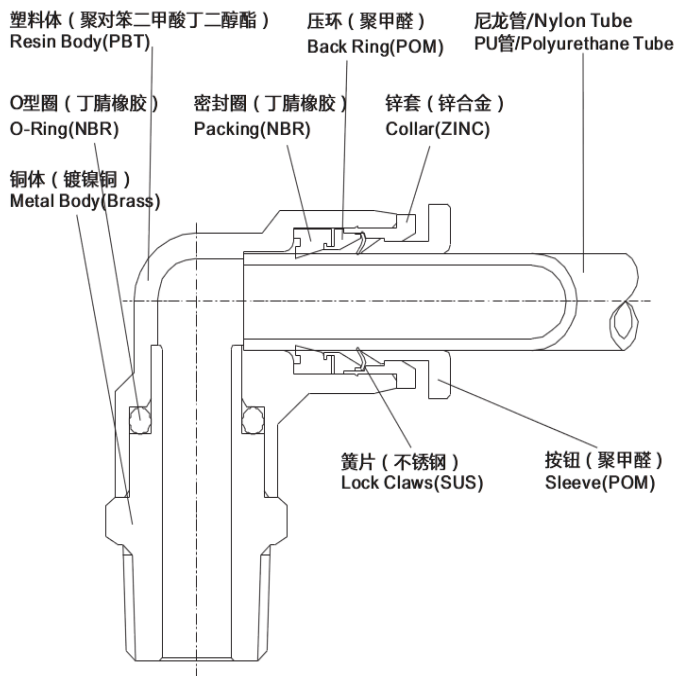
One touch “push in” fittings are used to connect pneumatic tubing to various fluid power valves, cylinders and associated equipment. The tubing can be attached and reattached many times without damaging the tube or fitting. All threads are nickel plated. NPT and BSPT tapered threads have a pre-coated thread sealant applied for ease of assembly. BSPP , Metric thread and 10-32UNF threads utilize an NBR O Ring seal.

Push-in fittings are designed to connect pneumatic hoses with calibrated outside diameter. The connection is achieved by pushing the hose into the fitting. To disconnect, the body has to be pressed towards release bushing. It is recommended to use these fittings with hoses made of polyamide. The hoses made of polyurethane or other materials can also be used. P series push-in fittings and miniature fittings, manufactured by Pace Pneumatics, are the best solution for connecting pipes and actuators in pneumatic systems. Available in various configurations for virtually unlimited application. Quick and easy to use, the push-in fittings can be re-used thousands of times without affecting the pneumatic and mechanical seal in any way. The clamping spring of special shape grips the pipe without scratching or deforming it and facilitates release.



© PACE PNEUMATICS

[www.china-pace.com](http://www.china-pace.com)  
[pace@china-pace.com](mailto:pace@china-pace.com)



Sleeve Select	
Color	Blue
	Black
	Grey
	Others
Shape	Round
	Oval

**Material Of Plastic Body: PBT**

**Material Of Metal Body: Brass**

**Surface of Metal Body: Nickel Plated**

## Specification

Fluid	Air, Vacuum	
Pressure Range	0~1.0 MPa	0~150 PSI
Negative Pressure	-100 Kpa(-750Torr)	-29.5 In Hg
Max Pressure	1.5 Mpa	250PSI
Temperature Range	0~60°C	32~140F
Applicable Tube	PU (Polyurethane)	PA (Nylon)

### A NOTE ABOUT FITTINGS WITH THREADS

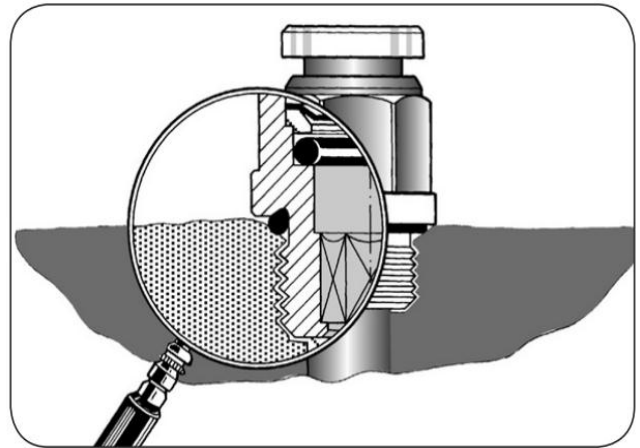
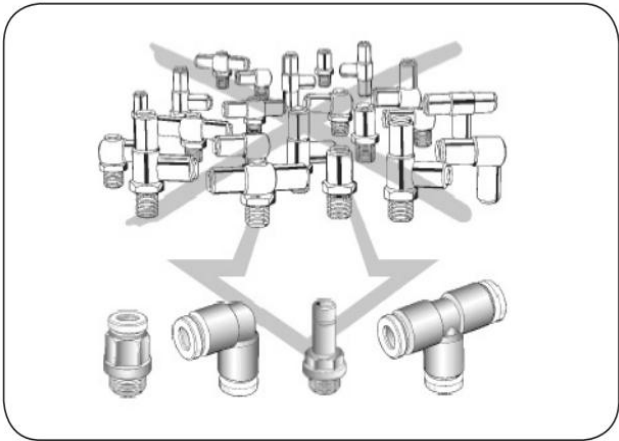
Most of our Push-In Fittings with threads have sealing compound applied so there is no need to use pipe thread sealant tape (sometimes referred to as “Teflon tape”). Those fittings with threads that do not have the sealing compound will require pipe thread sealant tape applied.

Referred to by different names, “Quick-Connect”, “Push-To-Connect”, or “Push-On” fittings are very easy to use and reuse. Simply push tubing into fitting... Done! To release the airline simply pull back on the fitting collar and the airline slides out easily.

- Make certain the airline is cut perfectly straight by using our Tube Cutter or a sharp utility knife, do not use scissors as they will crimp the airline and restrict airflow.
- Before removing the airline, make certain that the pressure inside the tube is zero. Attempting to remove the airline with pressure will potentially damage the airline and Push To Connect Air Fittings.

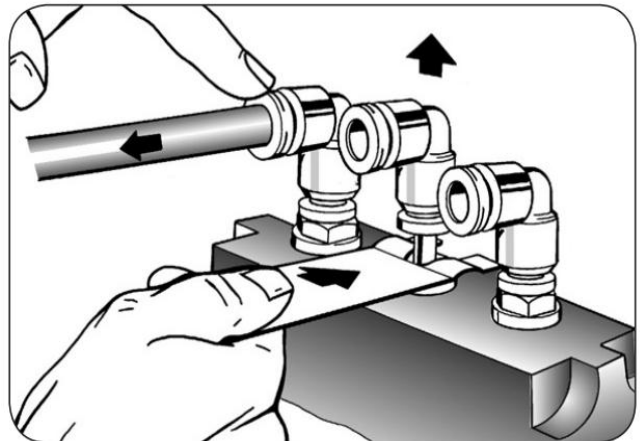
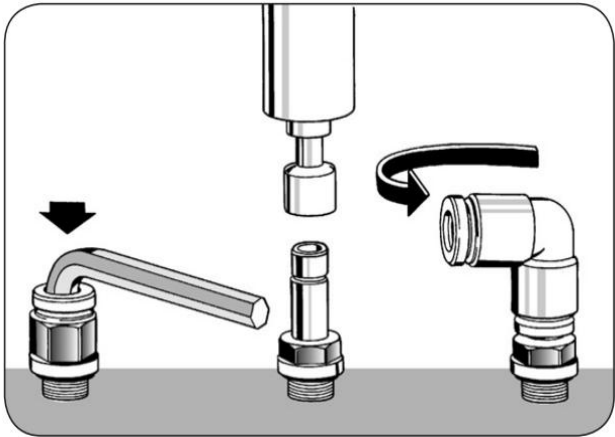
# AIR FITTINGS

PNEUMATIC FITTINGS, PUSH IN FITTINGS, PUSH TO CONNECT FITTINGS, ONE TOUCH TUBE FITTINGS, AIR FITTINGS, NPT PUSH IN FITTINGS, INSTANT AIR FITTINGS, PNEUMATIC CONNECTORS, ONE TOUCH PNEUMATIC FITTINGS, PUSH TO CONNECT AIR FITTINGS



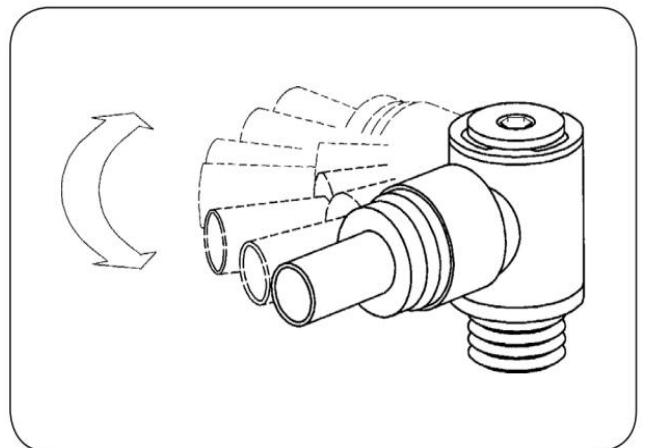
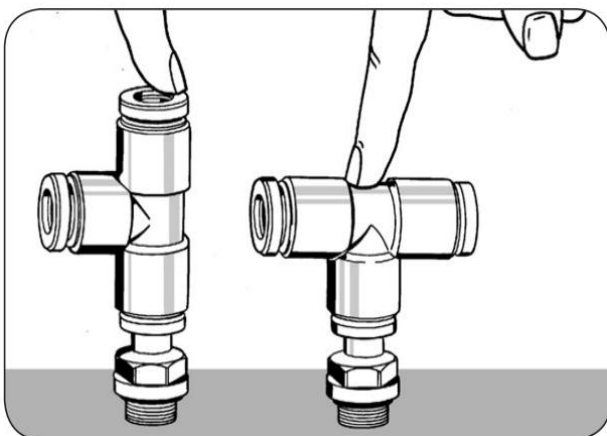
Despite a wide range of available types of push-in fittings, a complete system can be created using just four different types. Therefore storage costs are significantly reduced.

All fittings with a male parallel thread are equipped with an O-ring (Pace Pneumatics patented solution). The use of an O-ring considerably improves the seal of angled, rough, and slightly convex surfaces. PTFE tape does not have to be used at all.



Fittings can be assembled with an Allen wrench or pneumatic tools. All elbows and tees are rotary so assembly time is significantly reduced.

The pipe is easy to disassemble (by gentle pressing both a release bushing and fitting - by radial push of spanner).



A single tee can give a central or lateral tee.

A special version with two O-rings allows maximum orientation so that the fitting can follow hose movement.

